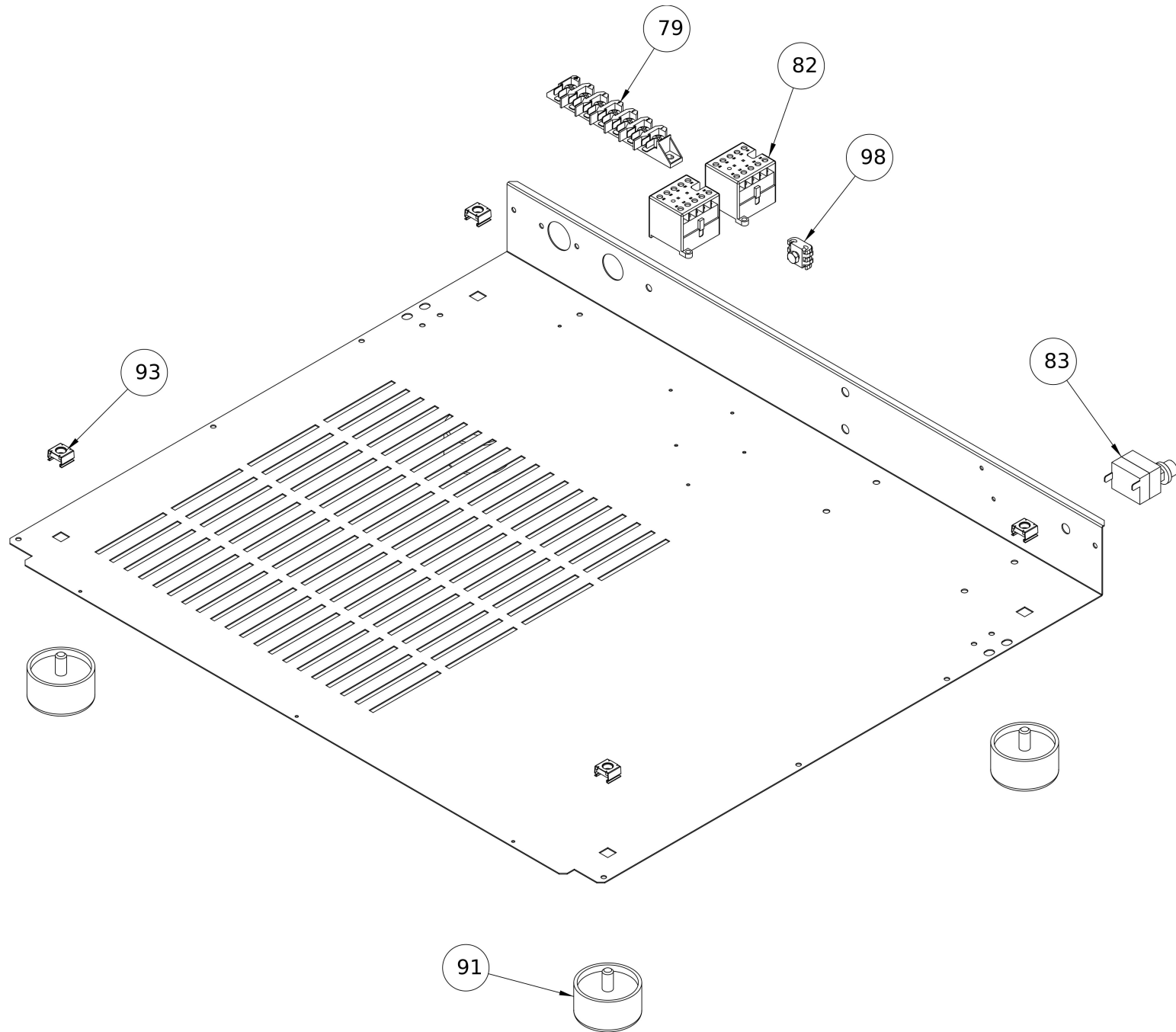


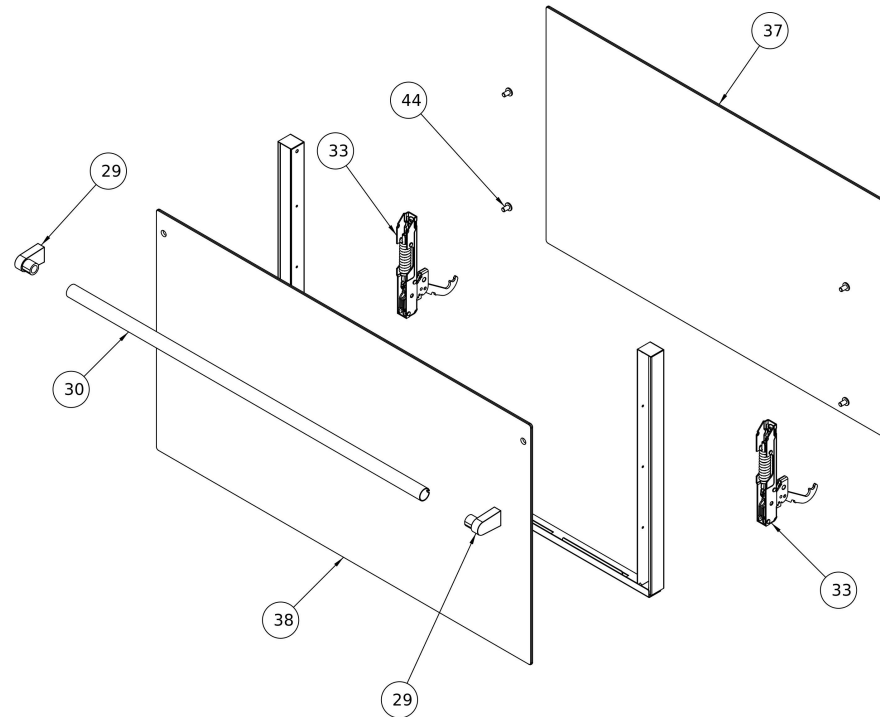
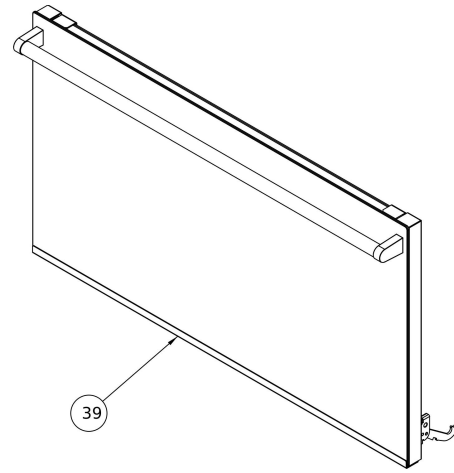
Frontal panel

| #   | Code                         | Description             | Specification     | UM | Qty |
|-----|------------------------------|-------------------------|-------------------|----|-----|
| 1   | R51FRO00001                  | RADAX FRONTAL STICKER   | For Radax oven    | pz | 1   |
| 1   | R51FRO00014                  | TATRA FRONTAL STICKER   | For Tatra oven    | pz | 1   |
| 2   | R50PAR00004                  | BLUE KNOB               | For Radax proofer | pz | 3   |
| 2   | R60MAN0001                   | SATIN CHROME KNOB       | For Tatra oven    | pz | 3   |
| 3   | R20LAM00003                  | INDICATOR LIGHT         |                   | pz | 1   |
| 6   | R20REG00003                  | TIMER                   |                   | pz | 1   |
| 7   | R20REG00004                  | THERMOSTAT              |                   | pz | 1   |
| 9   | R85CRU00008                  | Frontal panel           |                   | pz | 1   |
| 11  | R20PUL00001 +<br>R20PUL00004 | HUMIDIFICATION BUTTON   |                   | pz | 1   |
| 328 | R20SCH00003                  | BUZZER ELECRTONIC BOARD |                   | pz | 1   |



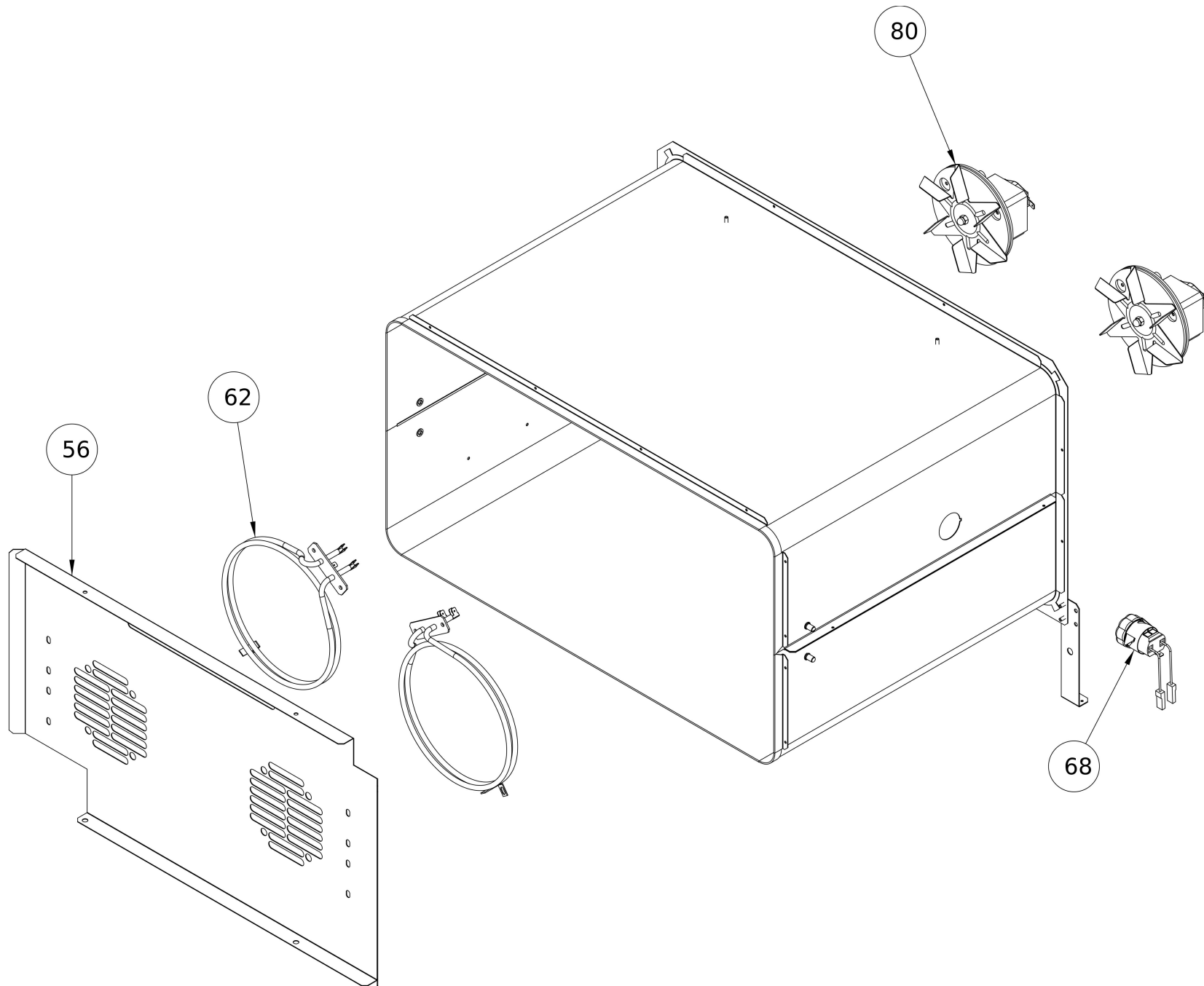
Electrical box

| #  | Code        | Description            | Specification | UM | Qty |
|----|-------------|------------------------|---------------|----|-----|
| 79 | R20MOR00001 | TERMINAL BLOCK         |               | pz | 1   |
| 82 | R20TEL00001 | BRAKER                 |               | pz | 2   |
| 83 | R20REG00001 | SAFETY THERMOSTAT      |               | pz | 1   |
| 91 | R60PIE00001 | PLASTIC FEET           |               | pz | 4   |
| 93 | R70DGA00001 | BOX NUT                |               | pz | 4   |
| 98 | R20MOR00002 | THERMINAL BLOCK BRIDGE |               | pz | 1   |



Door

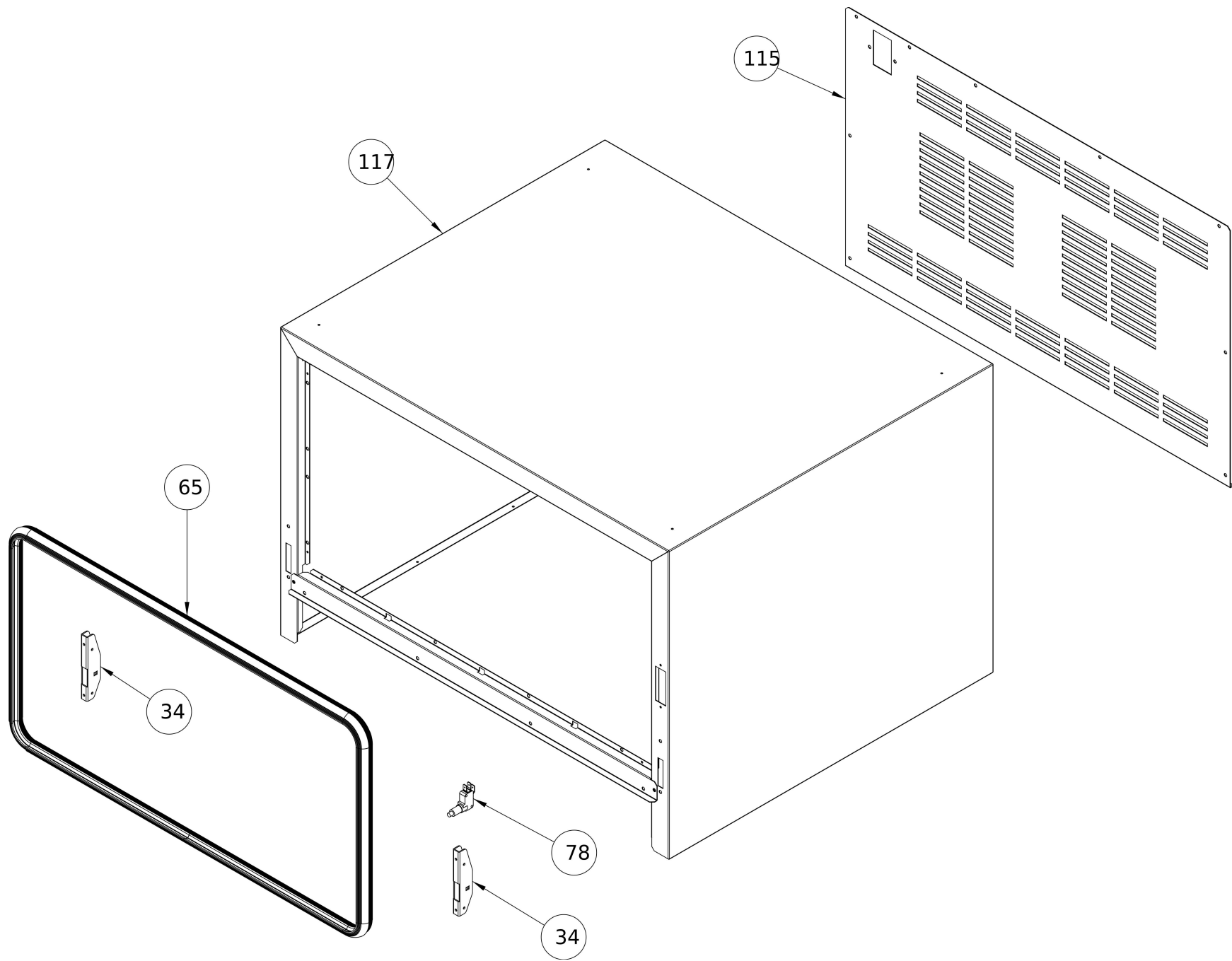
| #  | Code        | Description               | Specification      | UM | Qty |
|----|-------------|---------------------------|--------------------|----|-----|
| 29 | R50PAR00002 | DOOR HANDLE PIPE          |                    | pz | 2   |
| 30 | R30TBA00004 | HANDLE PIPE PLUG          |                    | pz | 1   |
| 33 | R60CER00001 | DOOR SPRING HINGE         |                    | pz | 2   |
| 37 | R80VET00002 | DOOR INTERNAL GLASS       |                    | pz | 1   |
| 38 | R80VET00001 | RADAX DOOR EXTERNAL GLASS | For Radax oven     | pz | 1   |
| 38 | R80VET00021 | TATRA DOOR EXTERNAL GLASS | For Tatra oven     | pz | 1   |
| 39 | R85PTA00002 | DOOR ASSEMBLY             | To order share s/n | pz | 1   |
| 44 | R60BCC00004 | INTERNAL GLASS HINGE      |                    | pz | 4   |



Cooking chamber

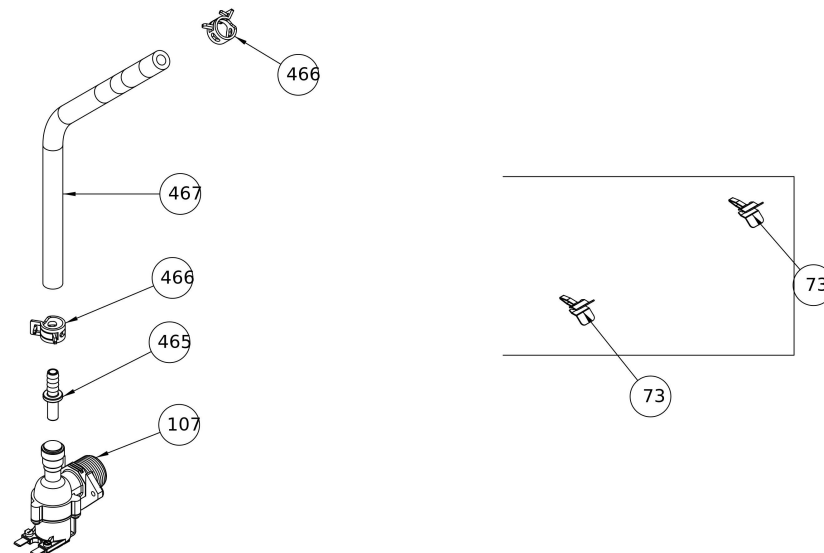
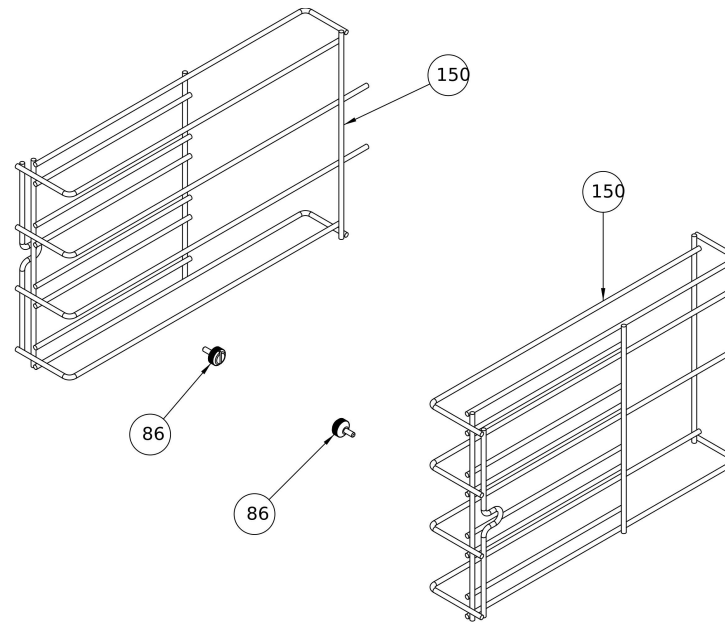
| #  | Code        | Description   | Specification | UM | Qty |
|----|-------------|---------------|---------------|----|-----|
| 56 | R10DEF00005 | AIR DEFLECTOR |               | pz | 1   |
| 62 | R20RES00002 | 1.6KW HEATER  |               | pz | 2   |
| 68 | R20LAM00001 | LAMP          |               | pz | 1   |
| 80 | R20MOT00002 | MOTOR         |               | pz | 2   |





Oven body

| #   | Code        | Description | Specification | UM | Qty |
|-----|-------------|-------------|---------------|----|-----|
| 34  | R60CER00002 | OVEN HINGE  |               | pz | 2   |
| 65  | R50GUA00001 | DOOR GASKET |               | pz | 2   |
| 78  | R20PUL00002 | DOOR MICRO  |               | pz | 1   |
| 115 | R10FIA00003 | REAR PANEL  |               | pz | 1   |
| 117 | R10FIA00001 | COVER PANEL |               | pz | 1   |



Internal accessories

R\_CONVECTION\_400X600\_M\_ACCESSORI

| #   | Code        | Description               | Specification | UM | Qty |
|-----|-------------|---------------------------|---------------|----|-----|
| 73  | R60FAS00001 | THERMOSTAT SPRING         |               | pz | 2   |
| 86  | R70VIS00001 | SPECIAL SCREW             |               | pz | 2   |
| 107 | R20ELE00001 | SOLENOID VALVE            |               | pz | 1   |
| 150 | R60GRI00001 | SIDE SUPPORTS             |               | pz | 2   |
| 465 | R61RCC00001 | PIPE HOSE                 |               | pz | 1   |
| 466 | R60FAS00002 | METAL CLAMP               |               | pz | 2   |
| 467 | R30TBG00001 | HUMIDIFICATION BLACK PIPE |               | pz | 1   |