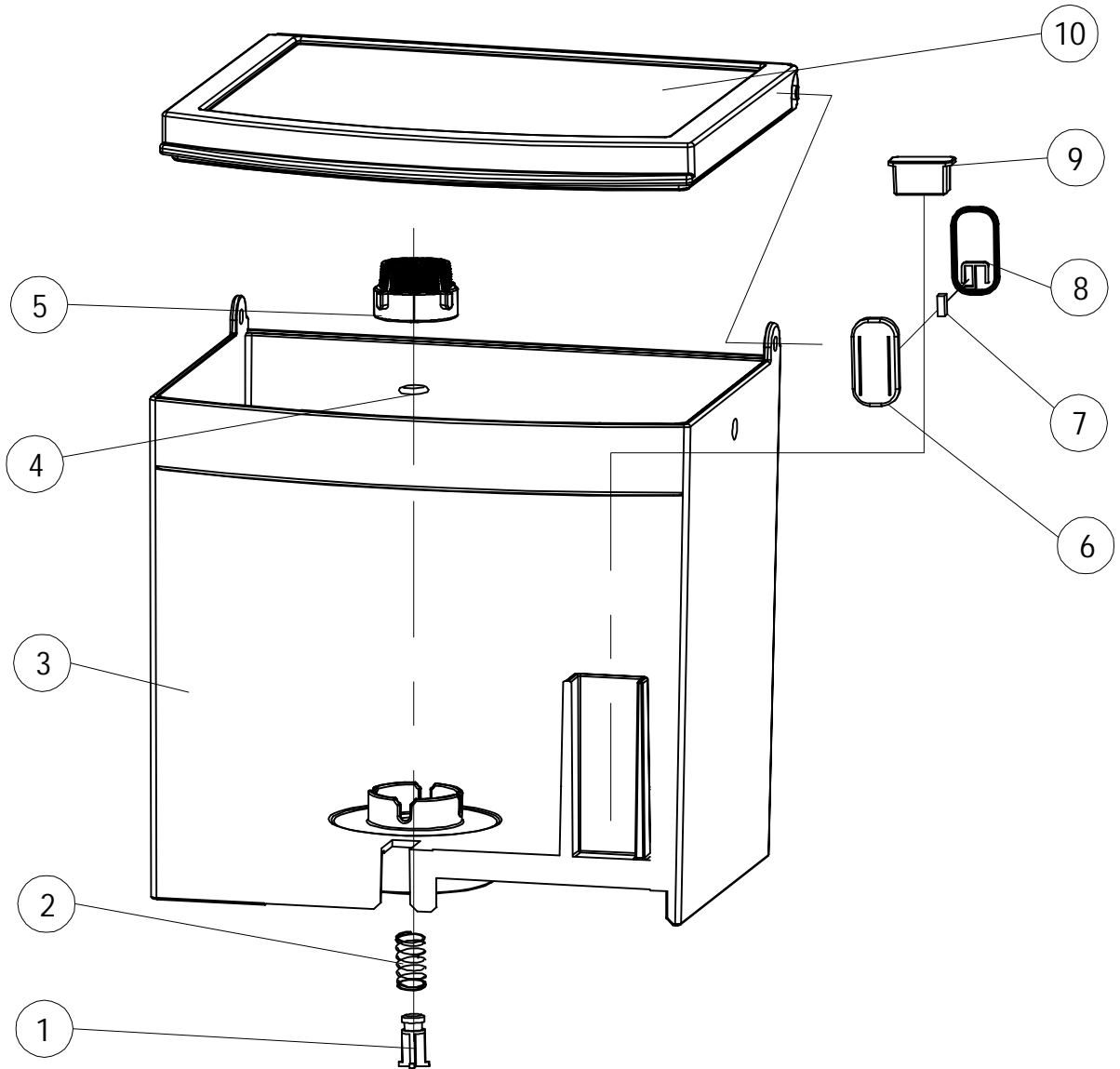


ME-709-00500



10	Water tank lid	ME-709-10115	ABS PA757	1	
9	Water floater top cover	ME-707-10502	ABS PA757	1	
8	Water tank floater	ME-707-10503	PP HJ730	1	
7	Water tank magnetism	ME-707-20502	NdFeB	1	
6	Water tank floater cover	ME-707-10504	PP HJ730	1	
5	Nylon filter of water tank	ME-707-10505	PP HJ730	1	
4	Water container O shape	ME-707-30501	Silicone	1	∅5x∅3
3	Water tank	ME-709-10114	PC N-IR2200	1	
2	Water container spring	ME-707-20501	SUS304	1	φ 0.55 N: 5 L: 25
1	Water tank valve core	ME-707-10507	ABS PA757	1	
NO.	NAME	Dwg NO.	Material & Specification	Qty	Remark

					Water tank Subassembly		ME-709-00500			
							Edition	VIEW	Qty	SCALE
Sign	Qty	File NO.	Signature	Date	1.0		1			
Design					Auditing			Current 1 sheet Total 1 sheet		
Norm					Approve			Ningbo Merol Coffee Machines Co., Ltd.		