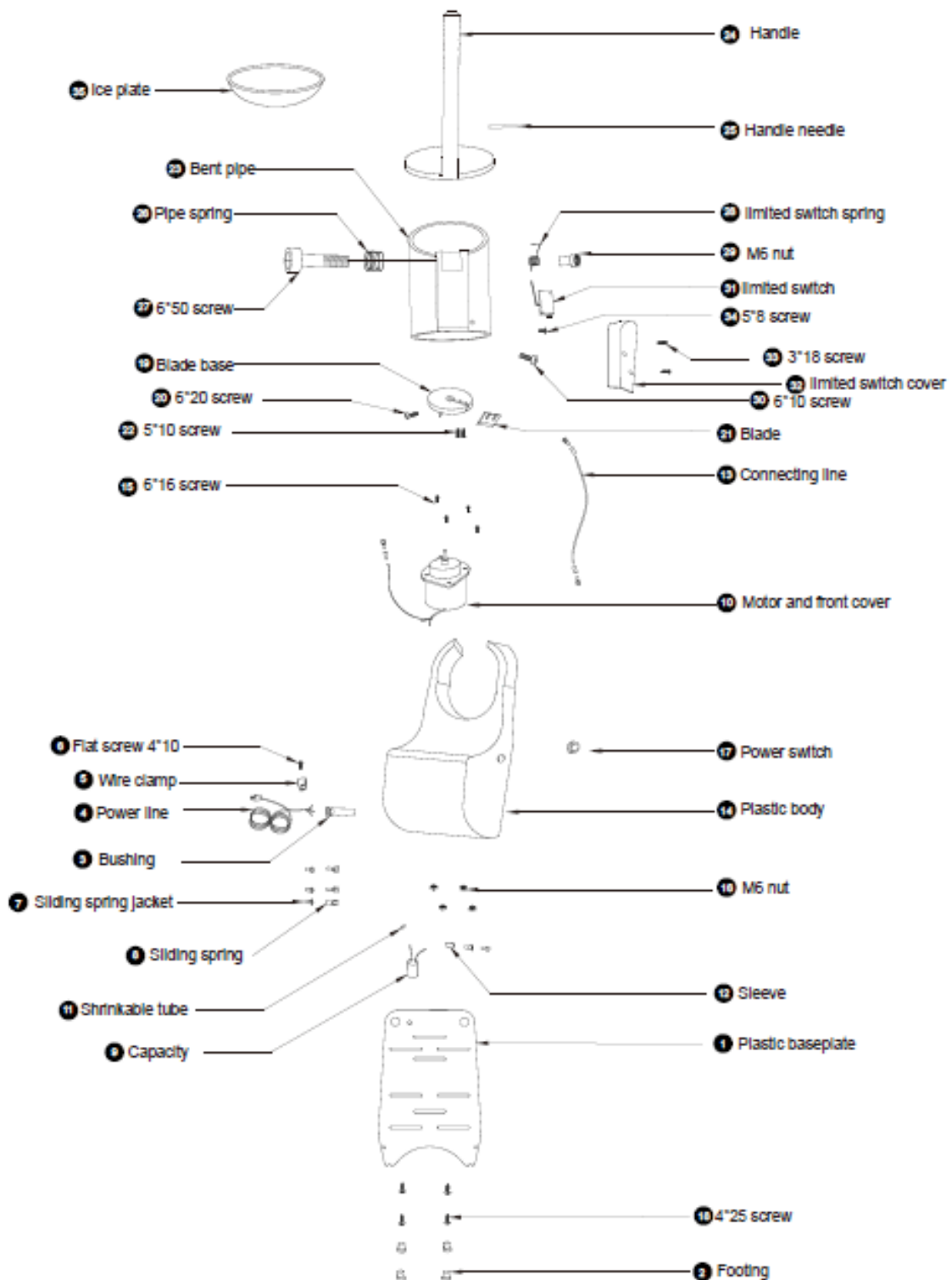


ИЗМЕЛЬЧИТЕЛЬ ЛЬДА HURAKAN HKN-TR65

С 2021 ГОДА

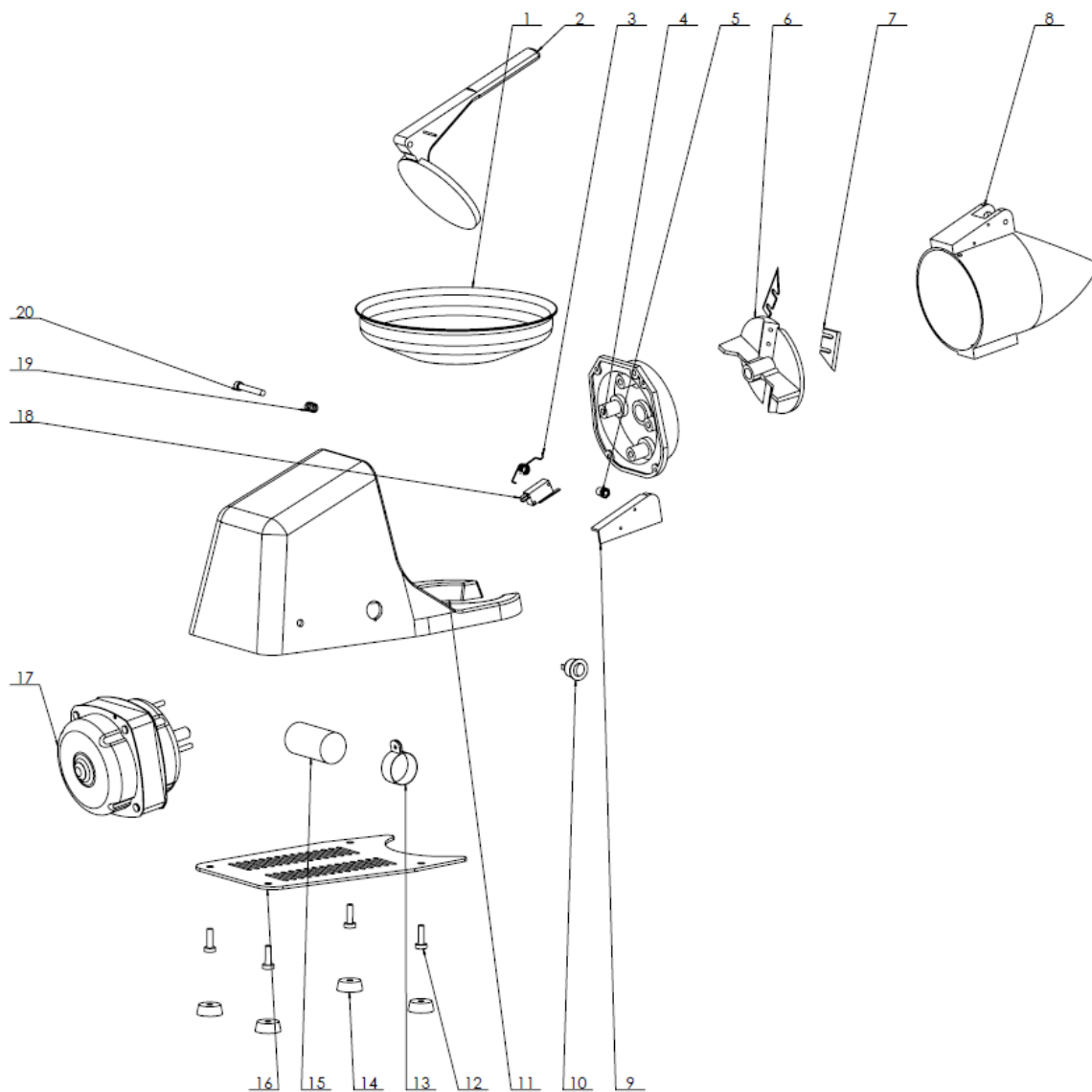


ИЗМЕЛЬЧИТЕЛЬ ЛЬДА HURAKAN HKN-TR65

Поз	Наименование детали	Кол
1	Plastic baseplate	1
2	Footing	4
3	Bushing	1
4	Power line	1
5	Wire clamp	1
6	Flat screw 4*10	1
7	Sliding spring jacket	7
8	Sliding spring	7
9	Capacity	1
10	Motor and front cover	1
11	Shrinkable tube	1
12	Sleeve	1
13	Connecting line	1
14	Plastic body	1
15	Screw 6*16	4
16	Nut M6	4
17	Power switch	1
18	Screw 4*25	4
19	Blade base	1
20	Screw 6*20	1
21	Blade	1
22	Screw 5*10	2
23	Bent pipe	4
24	Handle	1
25	Handle needle	1
26	Pipe spring	1
27	Screw 6*50	1
28	limited switch spring	1
29	Nut M6	1
30	Screw 6*10	1
31	limited switch	1
32	limited switch cover	1
33	Screw 3*18	2
34	Screw 5*8	1
35	Ice plate	1

ИЗМЕЛЬЧИТЕЛЬ ЛЬДА HURAKAN HKN-TR65

ДО 2021 ГОДА



**ИЗМЕЛЬЧИТЕЛЬ ЛЬДА HURAKAN HKN-TR65**

Поз	Наименование детали
1	Pan
2	Handle
3	Spring for Handle
4	Fixtor for Motor
5	Nut for Fixing the Spring
6	Blade Dish
7	Blade
8	Ice Crushing Chamber
9	Cover for Microswitch
10	Switch
11	Frame
12	Screw for Rubber Feet
13	Fixtor for Capacitor
14	Rubber Feet
15	Capacitor
16	Bottom Plate
17	Motor
18	Microswitch
19	Spring
20	Screw for Fixing the Spring