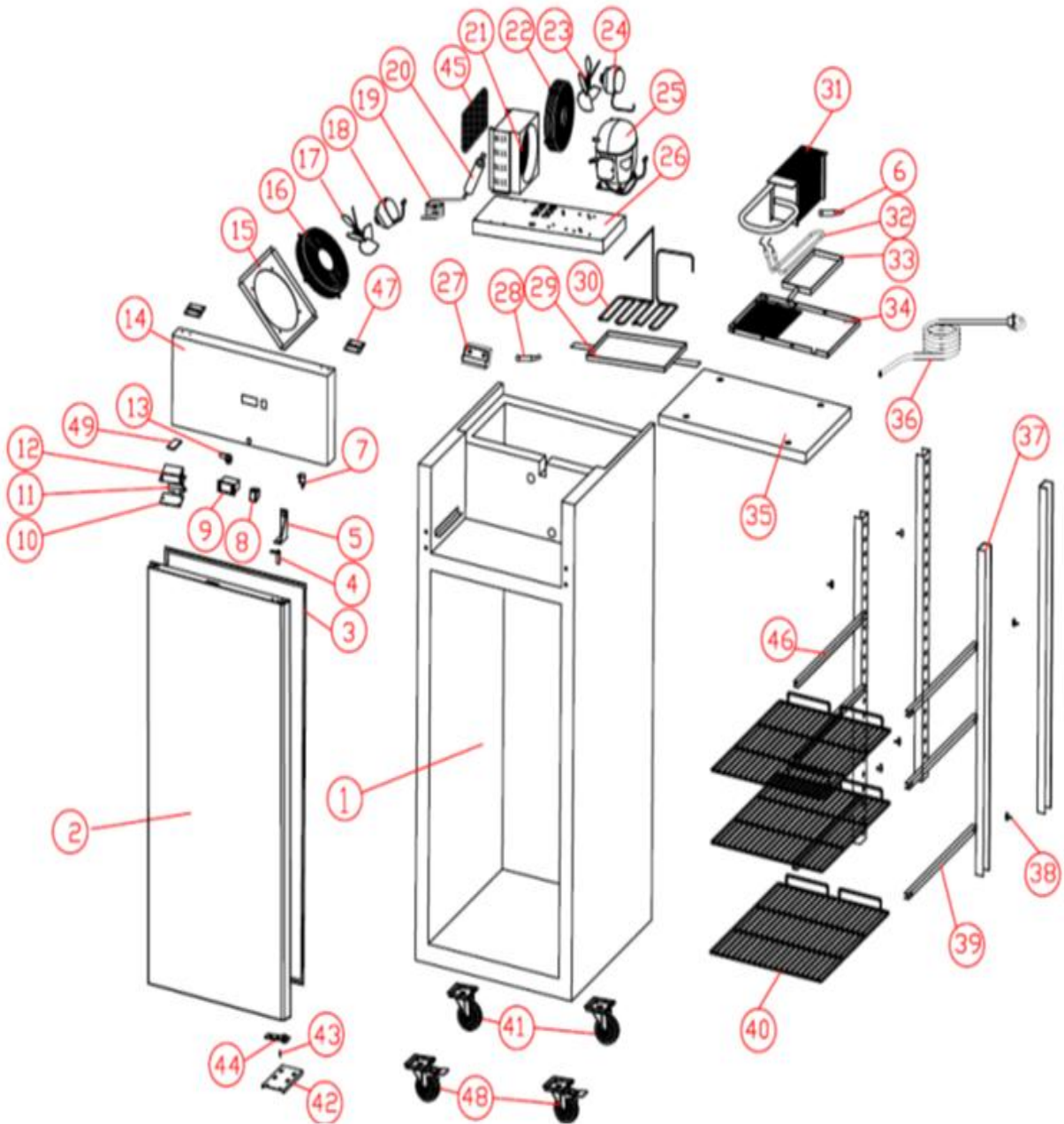


# ШКАФ МОРОЗИЛЬНЫЙ ТАТРА TRC700 ВТН



## ШКАФ МОРОЗИЛЬНЫЙ ТАТРА TRC700 BT

1	CABINET	GXE-0-000-0001-0	1
2	DOOR	GXE-0-000-0077-0	1
3	DOOR GASKET	16401000650	1
4	SPRING HINGE	12517240001	1
5	RIGHT UPPER HINGE	GXE-2-001-0001-0	1
6	EVA. SENSOR	17649490014	1
7	LIGHT/FAN SWITCH	17749210020	1
8	POWER SWITCH	17749020001	1
9	CONTROLLER	17709030006	1
10	LIGHT COVER	16356010650	1
11	LED LIGHT	17740410032	1
12	LIGHT BOX	GXE-2-001-0012-0	1
13	DOOR LOCK	12546100952	1
14	PANEL	GXE-2-001-0010-0	1
15	MOTOR BOARD	16358010002	1
16	EVA. FAN COVER	12504050231	1
17	EVA. FAN BLADE	16381738122	1
18	EVA. FAN	22752520019	1
19	CAPILLARY	15804041225	1
20	DRYER FILTER	17111250145	1
21	CONDENSER	17304100220	1
22	COND.FAN COVER	22726010003	1
23	COND. FAN BLADE	16381738122	1
24	COND. FAN MOTOR	22752520002	1
25	COMPRESSOR	17202100015	1
26	COOLING UNIT BOARD	GXE-2-001-0005-0	1
27	SENSOR CLIP	16357050001	1
28	SENSOR	17649490016	1
29	OUTER DRAIN PAN	GXE-0-000-0088-0	1
30	HIGH PRESSURE PIPE	17116060011	1
31	EVAPORATOR	17406080305	1
32	HEATER	17738230011	1
33	INNER DRAIN PAN	GXE-0-000-0089-0	1
34	FAN PLATE	GXE-2-001-0003-0	1
35	TOP COVER	GXE-0-000-0003-0	1
36	POWER CORD	17664640059	1
37	SHELF HOLDER	GXE-2-001-0014-0	4
38	SHELF HOLDER SCREW	12408096010	8
39	RIGHT SHELF GUIDE	GXE-2-001-0015-0	3
40	SHELF	12502012758	3
41	WHEEL	12533110022	2
42	RIGHT BOTTOM HINGE	GXE-2-001-0002-0	1
43	HINGE AXIS	12515035728	1
44	DOOR AXIS SLEEVE	16353010019	1
45	COND. FILTER NET	16324020002	1
46	LEFT SHELF GUIDE	GXE-2-001-0016-0	3
47	PANEL CONNECT	12426030002	2
48	WHEEL(WITH LOCK)	12533110023	2
49	UPPER HINGE COVER	16351220001	1