

Apach

COOK *line*

Catalogo parti di ricambio valido
dalla matricola 0000001 (31.10.2006) ad oggi (28.02.2023)

Catalogue pieces detachees
valable à partir du numero de Série n. 0000001 (31.10.2006) jusqu'à aujourd'hui
(28.02.2023)

Ersatzteilkatalog
gültig ab Serien-Nr. 0000001 (31.10.2006) bis heute (28.02.2023)

Spare parts catalogue
valid from serial no. 0000001 (31.10.2006) up today (28.02.2023)

Catálogo de peças de reposição
válido do número de série 0000001 (31.10.2006) até hoje (28.02.2023)

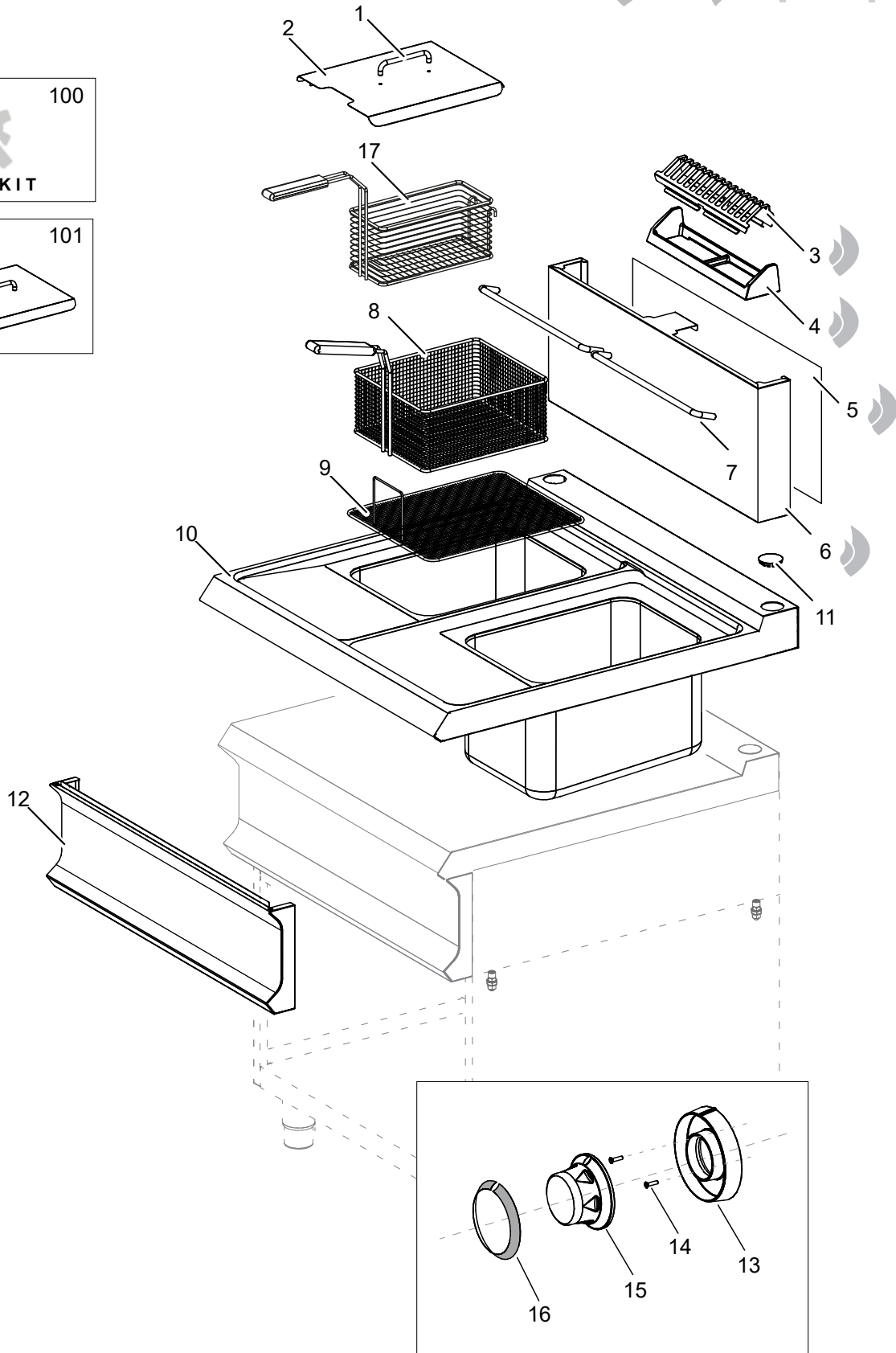
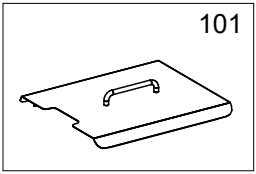
Le informazioni sono considerate non vincolanti. Le immagini rappresentate sono puramente indicative. Il produttore si riserva il diritto di apportare modifiche in qualsiasi momento senza preavviso.

Les informations données ne sont pas contraignantes. Les images montrées sont à titre indicatif. Le producteur se réserve le droit d'apporter des modifications sans préavis.

Die im vorliegenden Dokument aufgeführten Informationen und Bilder sind unverbindlich. Der Hersteller behält sich das Recht vor, jederzeit ohne vorherige Ankündigung Änderungen vorzunehmen

Info and drawing could be slightly different from reality and they cannot be considered as compelling. Manufacturer can modify info anytime without forewarning.

As Informações e desenhoS podem estar um pouco diferente da realidade e são puramente indicativas. O fabricante pode modificar estas informações a qualquer momento sem aviso prévio.

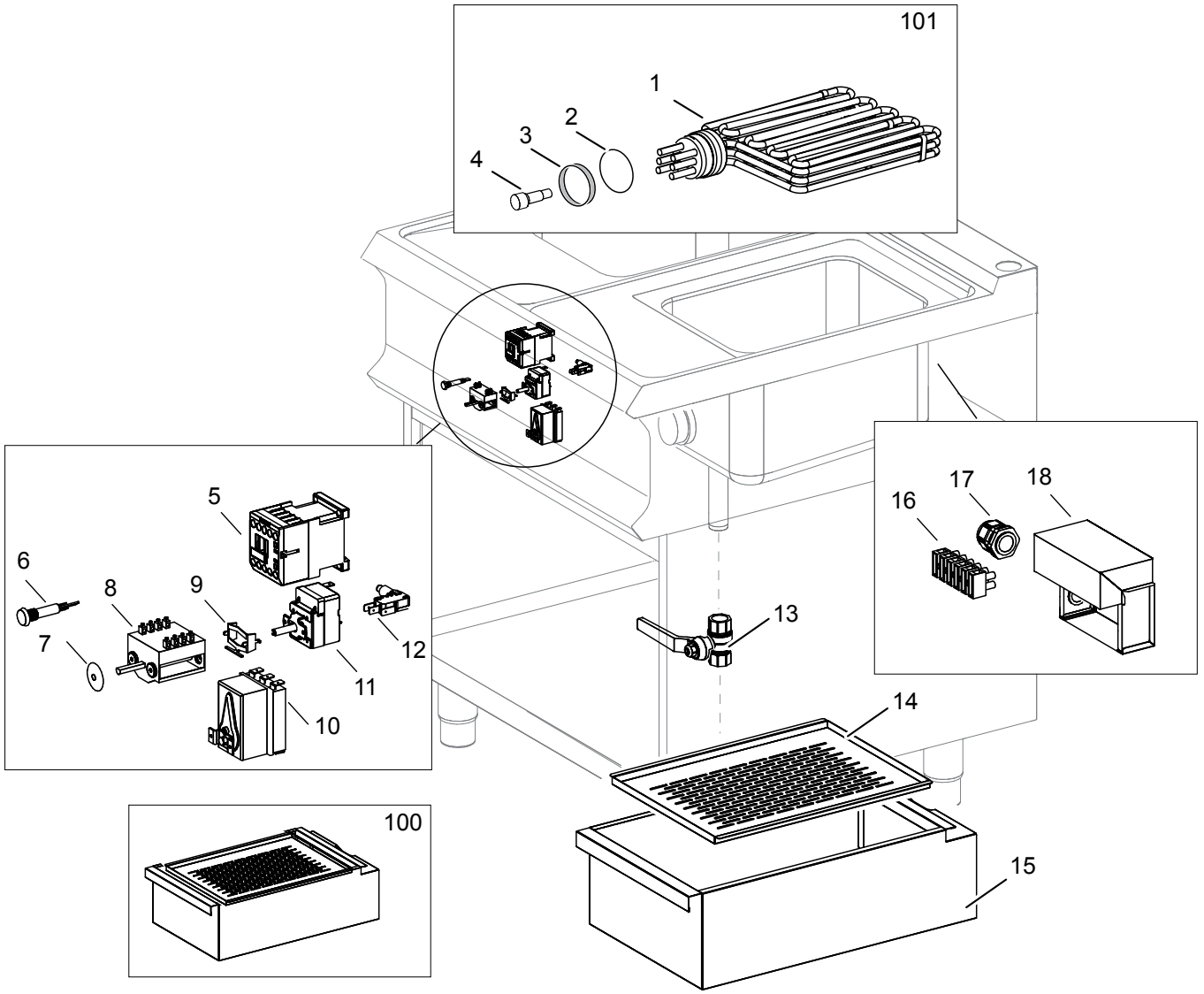


1

Nr.	Code	Title	Recommended
1.	RTBF800020	HANDLE CROMATO	
2.	177046	TANK LID	
3.	202046	CHIMNEY GRILL	
7.	182906	PLATE	
8.	A980000008	BASKET FOR FRYER L.21	
9.	160036	BASKET SUPPORT GRID	
10.	204114	ARBEITSPLATTE + WANNE	
12.	203912	CONTROL PANEL	
15.	202200	COMMUTATOR KNOB	
16.	200486	THERMOSTAT RING	
17.	204189	BASKET FOR FRYER L.8/9	
100.	ECS9028	RECOMMENDED PARTS FOR MFRE94-98	
101.	RIC0005174	KIT COVER	



Nr.	Code	Title	Recommended
6.	200470	HIGH REAR	
7.	203179	REAR LOWER	
8.	201556	RIGHT SIDE	
9.	201557	LEFT SIDE	
11.	201734	REMOVABLE LOWER FLOOR	
12.	201554	CROSS FEET	
13.	RTCU700277	FOOT	
14.	200467	FRONT-REAR CROSS MEMBER	
15.	181529	DOOR MAGNET	
16.	200064	RIGHT HINGE	
17.	200065	LEFT HINGE	
18.	201706	HANDLE TERMINAL	
20.	201926	HANDLE	
100.	RIC0005129	CABINET DOOR COMPLETE	
101.	RIC0005130	HANDLE CUPBOARD	



Nr.	Code	Title	Recommended
1.	180953	HEATING ELEMENT 16KW	✓
2.	RTMIN00283	SEEGER	✓
3.	RTCU700565	GASKET FOR HEATING ELEMENT	✓
4.	PACU701198	BULB STOPPER CAP	✓
5.	177040	RELAIS	✓
6.	166466	ORANGE LAMP LIGHT	✓
7.	RTCU800185	GASKET FOR COMMUTATOR ROD	✓
8.	RTCU900110	THERMOSTAT COMMUTATOR	✓
9.	RTCU900112	HIGH BRACKET COMMUTATOR/THERMOSTAT	✓
10.	182100	SAFETY THERMOSTAT	✓
11.	180498	WORKING THERMOSTAT T.180°C	✓
12.	RTBF900277	MICRO SWITCH	✓
13.	177037	OIL DRAIN TAP	✓
14.	201763	OIL TANK FILTRE	
15.	201761	OIL TANK	
16.	RTBF900045	TERMINAL BOARD	
17.	RTBF800138	CHOCK	
18.	201571	CABINET TERMINAL BLOCK PROTECTION	
101.	RIC0005175	COMPLETE RESISTANCE KIT	