

Apach

COOK *line*

Catalogo parti di ricambio valido
dalla matricola 0000001 (31.10.2006) ad oggi (09.03.2023)

Catalogue pieces detachees
valable à partir du numero de Série n. 0000001 (31.10.2006) jusqu'à aujourd'hui
(09.03.2023)

Ersatzteilkatalog
gültig ab Serien-Nr. 0000001 (31.10.2006) bis heute (09.03.2023)

Spare parts catalogue
valid from serial no. 0000001 (31.10.2006) up today (09.03.2023)

Catálogo de peças de reposição
válido do número de série 0000001 (31.10.2006) até hoje (09.03.2023)

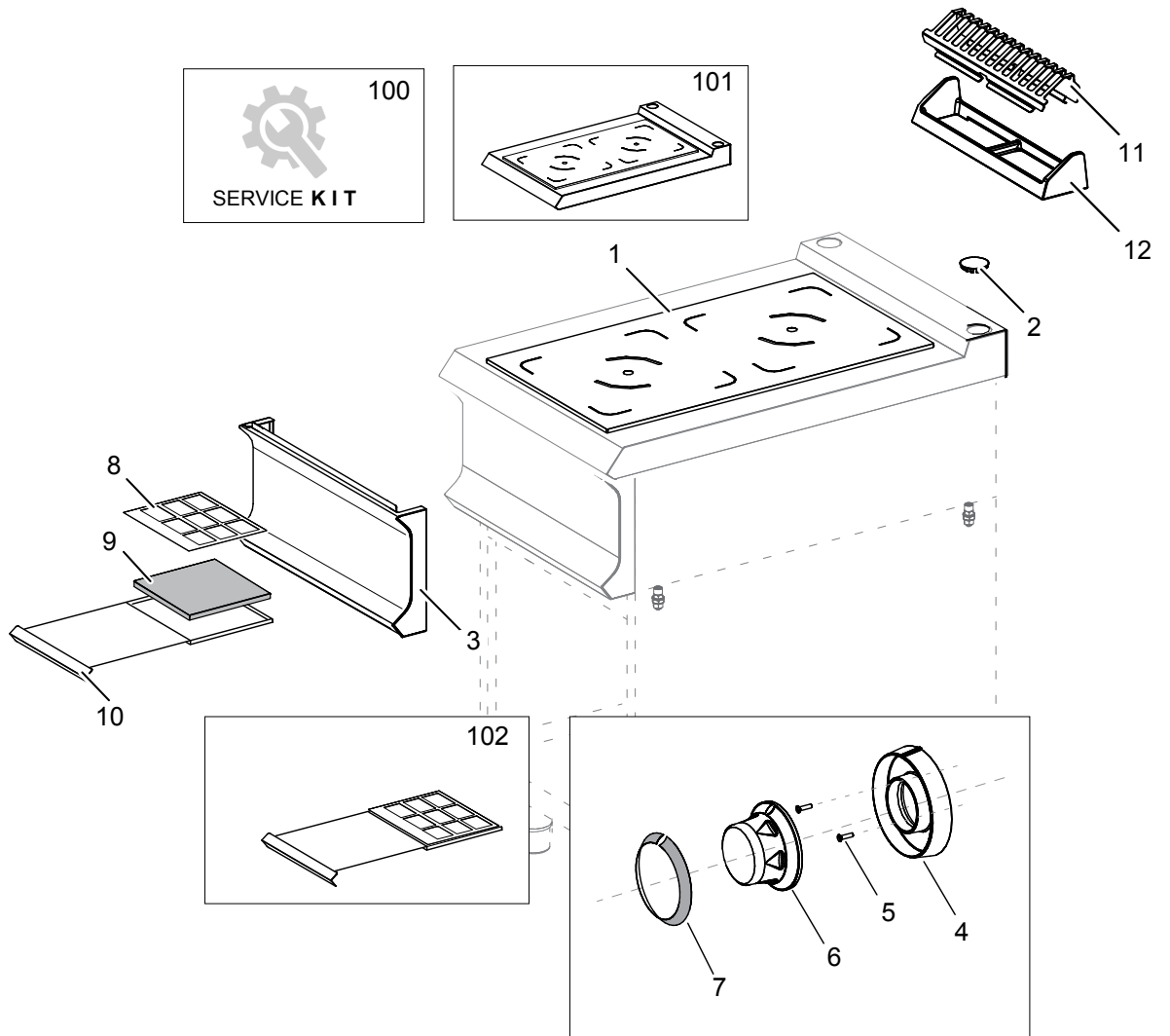
Le informazioni sono considerate non vincolanti. Le immagini rappresentate sono puramente indicative. Il produttore si riserva il diritto di apportare modifiche in qualsiasi momento senza preavviso.

Les informations données ne sont pas contraignantes. Les images montrées sont à titre indicatif. Le producteur se réserve le droit d'apporter des modifications sans préavis.

Die im vorliegenden Dokument aufgeführten Informationen und Bilder sind unverbindlich. Der Hersteller behält sich das Recht vor, jederzeit ohne vorherige Ankündigung Änderungen vorzunehmen

Info and drawing could be slightly different from reality and they cannot be considered as compelling. Manufacturer can modify info anytime without forewarning.

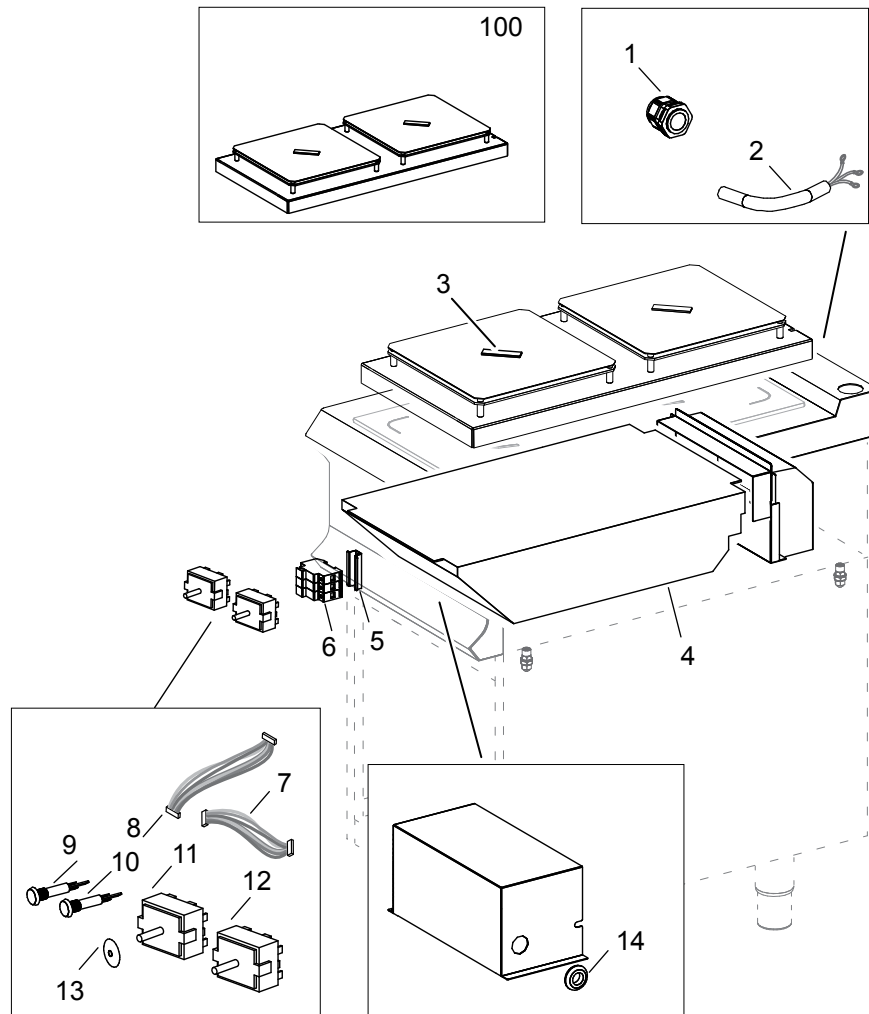
As Informações e desenhoS podem estar um pouco diferente da realidade e são puramente indicativas. O fabricante pode modificar estas informações a qualquer momento sem aviso prévio.



Nr.	Code	Title	Recommended
1.	184745	GLASS	
3.	203746	FRONT PANEL	
6.	202200	COMMUTATOR KNOB	
7.	200342	SWITCH RING	
8.	202934	AIR FILTER STOP	✓
9.	181416	FILTER	✓
10.	203130	DRAWER EXTERNAL PANEL	
11.	202046	CHIMNEY GRILL	
100.	ECS7037	RECOMMENDED PARTS	
101.	RIC0005132	TOP GLASS WITH NO WIRING	
102.	RIC0005059	FILTER HOLDER	



Nr.	Code	Title	Recommended
6.	202977	<i>BACK SIDE</i>	
7.	202975	<i>BACK SIDE</i>	
8.	200031	<i>LATERAL SIDE RIGHT</i>	
9.	200032	<i>LATERAL SIDE LEFT</i>	
11.	200015	<i>REMOVABLE LOWER FLOOR</i>	
12.	200030	<i>CROSS FEET</i>	
13.	RTCU700277	<i>FOOT</i>	
14.	200029	<i>FRONT / REAR CROSS MEMBER</i>	



Nr.	Code	Title	Recommended
1.	RTBF800138	CHOCK	
2.	182733	POWER SUPPLY CABLE	
3.	RIC0003557	SENSOR FOR INDUCTANCE + KAPTON TAPE	
4.	177894	GENERATOR	✓
5.	184553	SUPPORT	
6.	182728	FUSE HOLDER	✓
7.	186392	CONNECTING CABLE POTENTIOMETER/GENERATOR	✓
8.	186393	CONNECTING CABLE POTENTIOMETER	✓
9.	186391	CABLE 2 LAMPS LENGTH 0,5MT	✓
10.	186391	CABLE 2 LAMPS LENGTH 0,5MT	✓
11.	186390	ENCODER	✓
12.	186390	ENCODER	✓
13.	RTCU800185	GASKET FOR COMMUTATOR ROD	✓
14.	RTBF800134	CHOCK	
100.	177895	COILCARRIER	✓