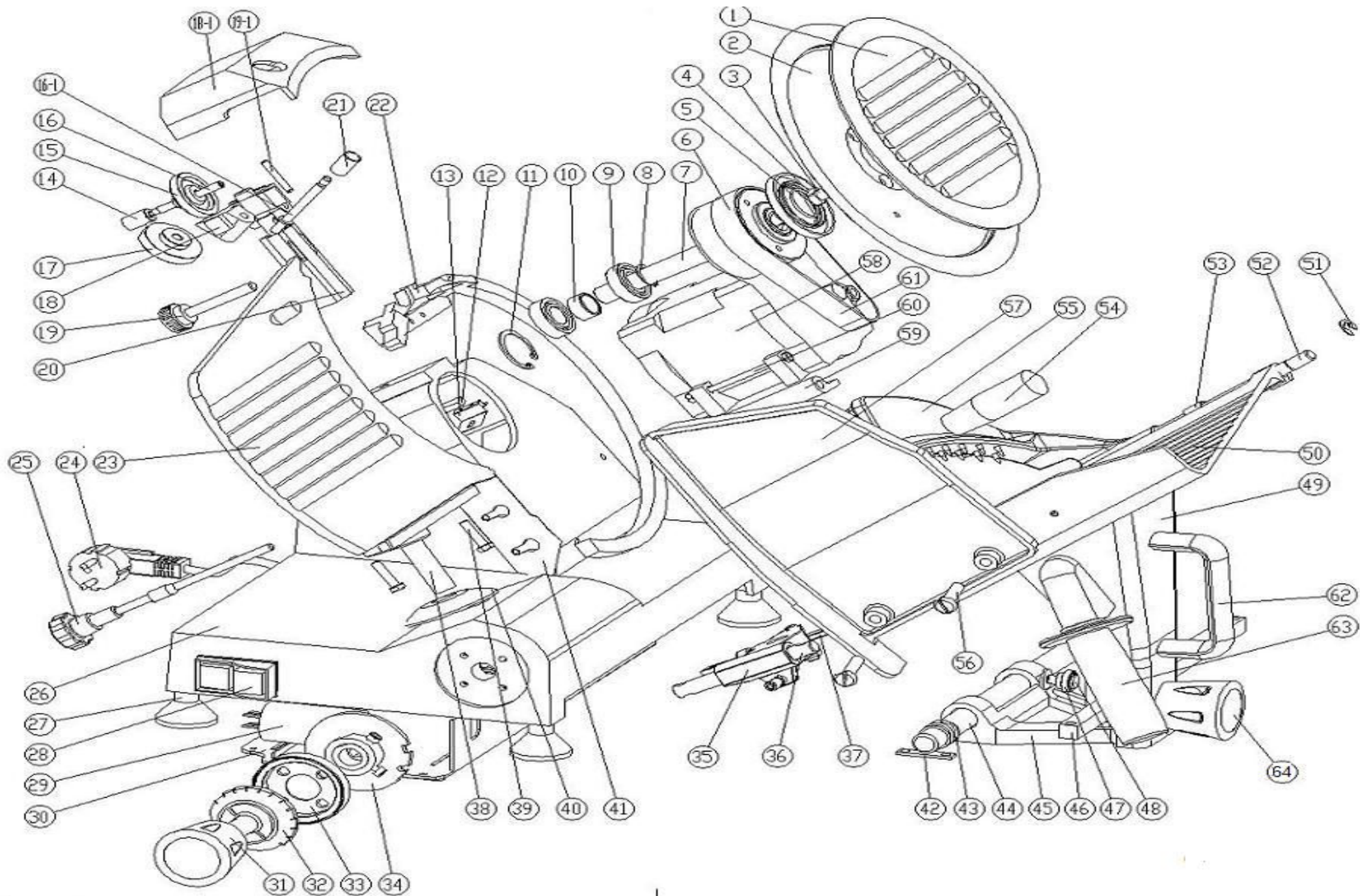


# Exploded View for meat slicer HBS-195JS/220JS/220A/250A/275A/300A/250/275/300/250L/300L





34	cam	2.00	2.00	2.00	2.30	2.30	2.00	2.00	2.30	2.30	2.00	2.30
35	slide holder	2.30	2.30	2.40	3.00	3.00	2.40	2.40	3.00	3.00	2.40	3.00
36	slide axis	1.00	1.00	1.10	1.30	1.30	1.00	1.10	1.30	1.30	1.10	1.30
37	Axis for slide holder	0.10	0.10	0.10	0.10	0.10	0.10	0.10	0.10	0.10	0.10	0.10
38	holder for locring plate	3.40	3.40	3.90	4.40	4.40	3.40	3.90	4.40	4.40	3.90	4.40
39	locking nut for locring plate	0.10	0.10	0.10	0.10	0.10	0.10	0.10	0.10	0.10	0.10	0.10
40	sealing ring for locring plate	0.20	0.20	0.20	0.20	0.20	0.20	0.20	0.20	0.20	0.20	0.20
41	scraping board	0.40	0.40	0.40	0.50	0.50	0.40	0.40	0.50	0.50	0.40	0.50
42	locring board for circle orbit	0.00	0.00	0.00	0.00	0.00	0.00	0.00	0.00	0.00	0.00	0.00
43	spring for circle orbit	0.30	0.30	0.30	0.40	0.40	0.30	0.30	0.40	0.40	0.30	0.40
44	circle orbit	3.20	3.20	3.40	4.10	4.10	3.20	3.40	4.10	4.10	3.40	4.10
45	sliding frame	4.10	4.10	4.10	4.70	4.70	4.10	4.10	4.70	4.70	4.10	4.70
46	square orbit	1.80	1.80	2.10	2.40	2.40	1.80	2.10	2.40	2.40	2.10	2.40
47	Spherical Bearings	0.90	0.90	0.90	1.20	1.20	0.90	0.90	1.20	1.20	0.90	1.20
48	Axis for sliding frame	0.50	0.50	0.50	0.60	0.60	0.50	0.50	0.60	0.60	0.50	0.60
49	carriage stand	5.20	5.20	6.00	7.30	7.30	5.70	6.00	7.30	7.30	6.00	7.30
50	carriage	5.70	6.30	7.30	8.50	8.50	6.30	7.30	8.50	8.50	7.30	8.50
51	Circlip	0.00	0.00	0.00	0.00	0.00	0.00	0.00	0.00	0.00	0.00	0.00
52	pole for carriage	1.00	1.00	1.20	1.80	1.80	1.10	1.20	1.80	1.80	1.20	1.80
53	bearing for pole of carriage	0.40	0.40	0.40	0.40	0.40	0.40	0.40	0.40	0.40	0.40	0.40
54	handle of pressor	0.90	0.90	0.90	1.10	1.10	0.90	0.90	1.10	1.10	1.80	1.80
55	pressor	3.80	4.40	5.00	6.20	6.20	5.00	5.00	6.20	6.20	5.00	6.20
56	French countersunk head screw	0.20	0.20	0.20	0.30	0.30	0.20	0.20	0.30	0.30	0.20	0.30
57	protection board (includes screw)	2.40	2.40	2.90	3.40	3.40	2.40	2.90	3.40	3.40	2.90	3.40
58	motor	27.00	27.00	33.50	38.40	38.40	28.90	33.50	38.40	38.40	33.50	38.40
59	bracket for motor	0.30	0.30	0.30	0.50	0.50	0.30	0.30	0.50	0.50	0.30	0.50
60	Hinge axis	0.00	0.00	0.00	0.00	0.00	0.00	0.00	0.00	0.00	0.00	0.00
61	belt	1.40	1.40	1.40	1.50	1.50	1.40	1.40	1.50	1.50	1.40	1.50
62	U type handle	/	/	1.60	1.60	1.60	1.60	1.60	1.60	1.60	/	/
63	Aluminum handle ( only for HBS-250L & HBS-300L)	/	/	/	/	/	/	/	/	/	3.10	3.30
64	round handle	1.10	1.10	1.10	1.30	1.30	1.10	1.10	1.30	1.30	8.70	9.70