

Apach

COOK *line*

Catalogo parti di ricambio valido
dalla matricola 0000001 (31.10.2006) ad oggi (16.02.2023)

Catalogue pieces detachees
valable à partir du numero de Série n. 0000001 (31.10.2006) jusqu'à aujourd'hui
(16.02.2023)

Ersatzteilkatalog
gültig ab Serien-Nr. 0000001 (31.10.2006) bis heute (16.02.2023)

Spare parts catalogue
valid from serial no. 0000001 (31.10.2006) up today (16.02.2023)

Catálogo de peças de reposição
válido do número de série 0000001 (31.10.2006) até hoje (16.02.2023)

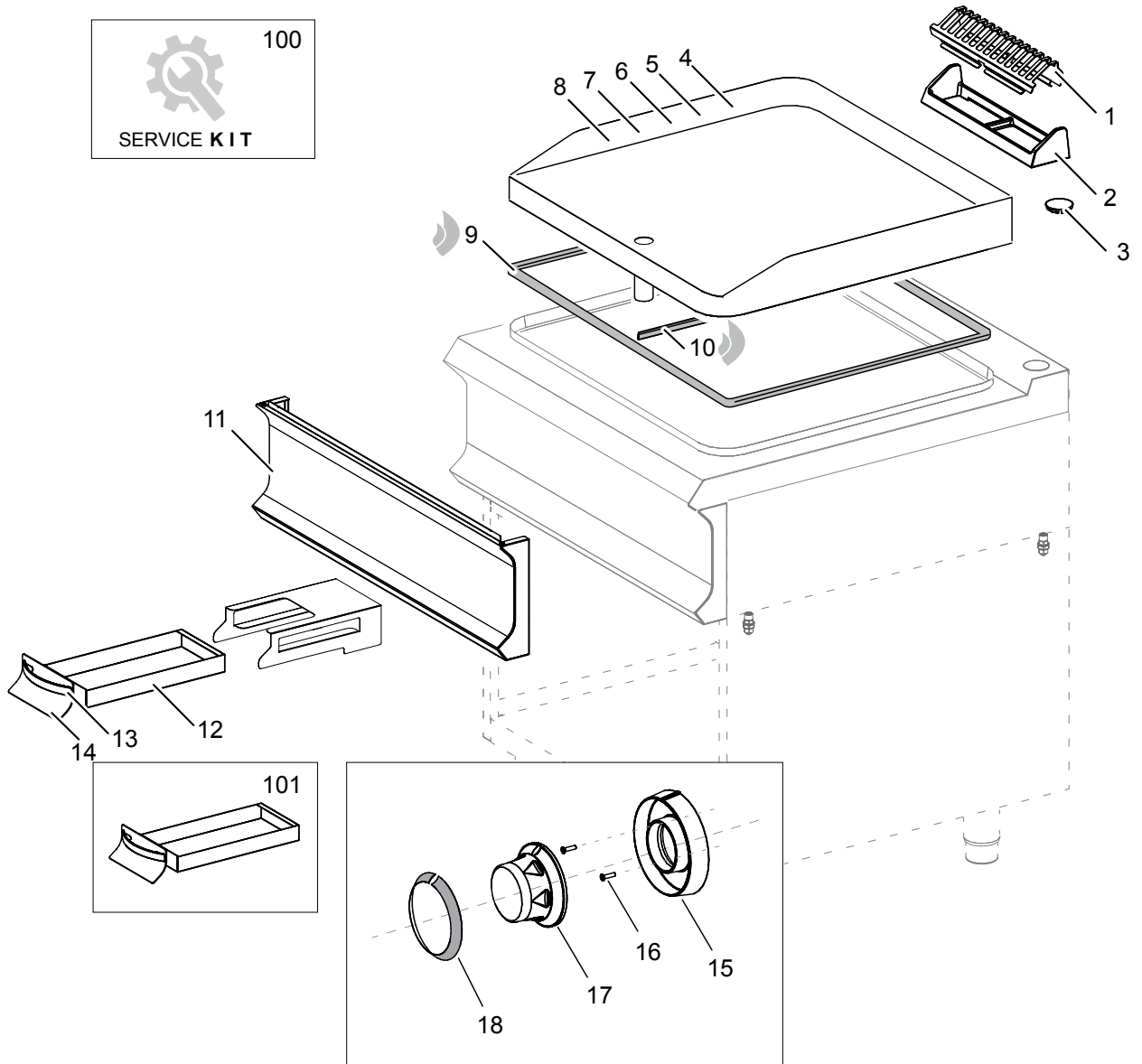
Le informazioni sono considerate non vincolanti. Le immagini rappresentate sono puramente indicative. Il produttore si riserva il diritto di apportare modifiche in qualsiasi momento senza preavviso.

Les informations données ne sont pas contraignantes. Les images montrées sont à titre indicatif. Le producteur se réserve le droit d'apporter des modifications sans préavis.

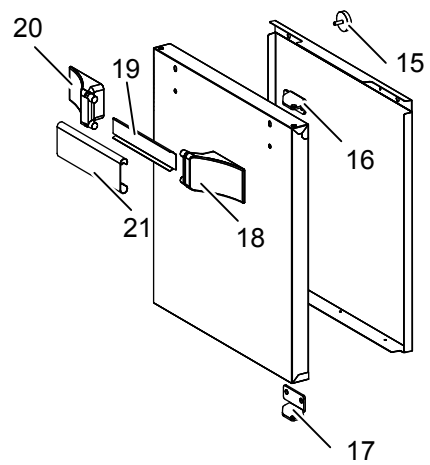
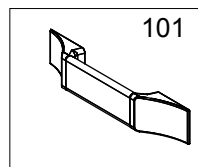
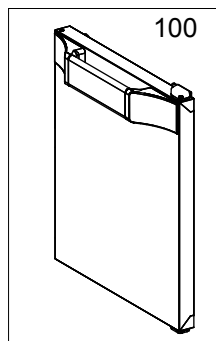
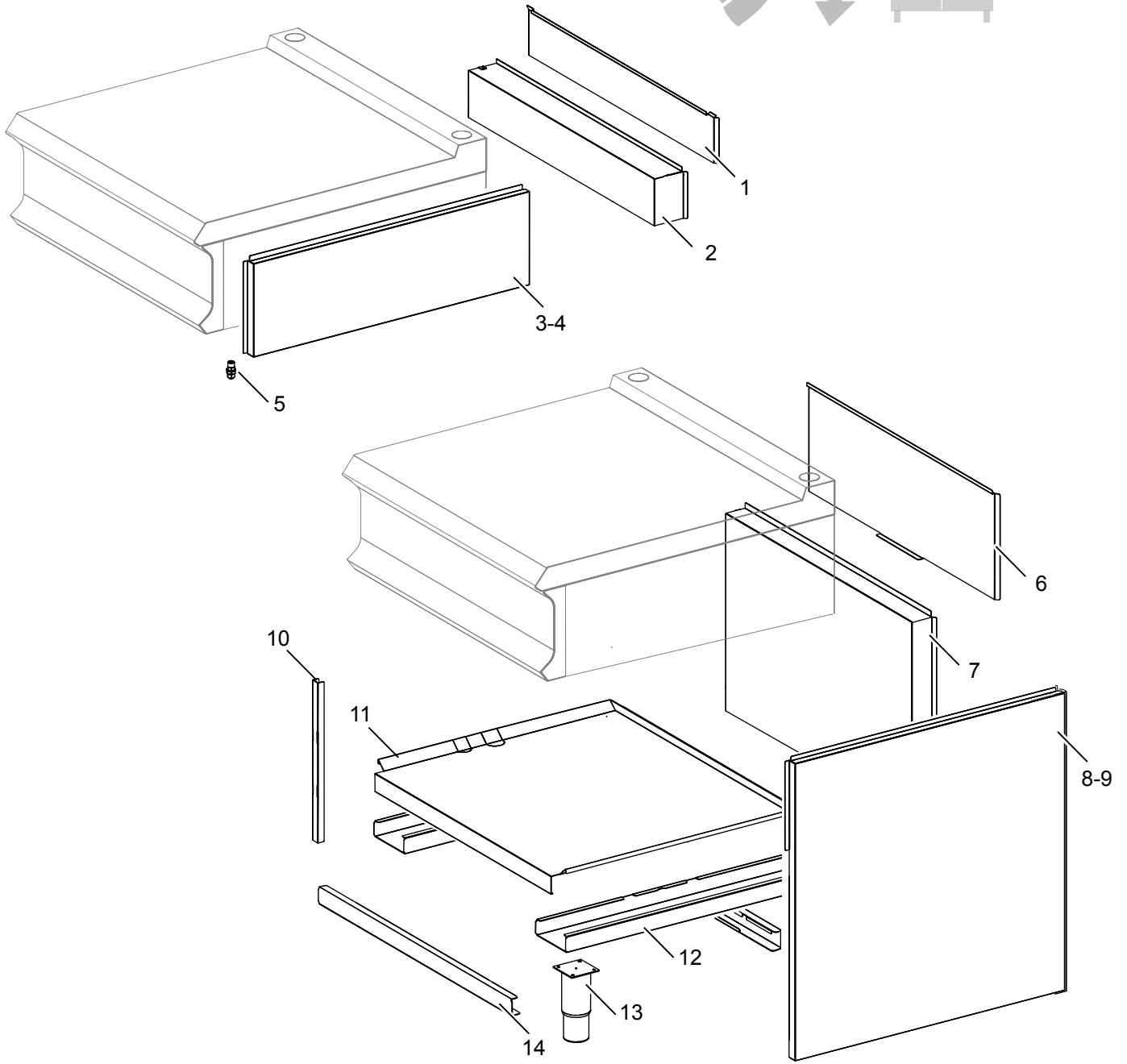
Die im vorliegenden Dokument aufgeführten Informationen und Bilder sind unverbindlich. Der Hersteller behält sich das Recht vor, jederzeit ohne vorherige Ankündigung Änderungen vorzunehmen

Info and drawing could be slightly different from reality and they cannot be considered as compelling. Manufacturer can modify info anytime without forewarning.

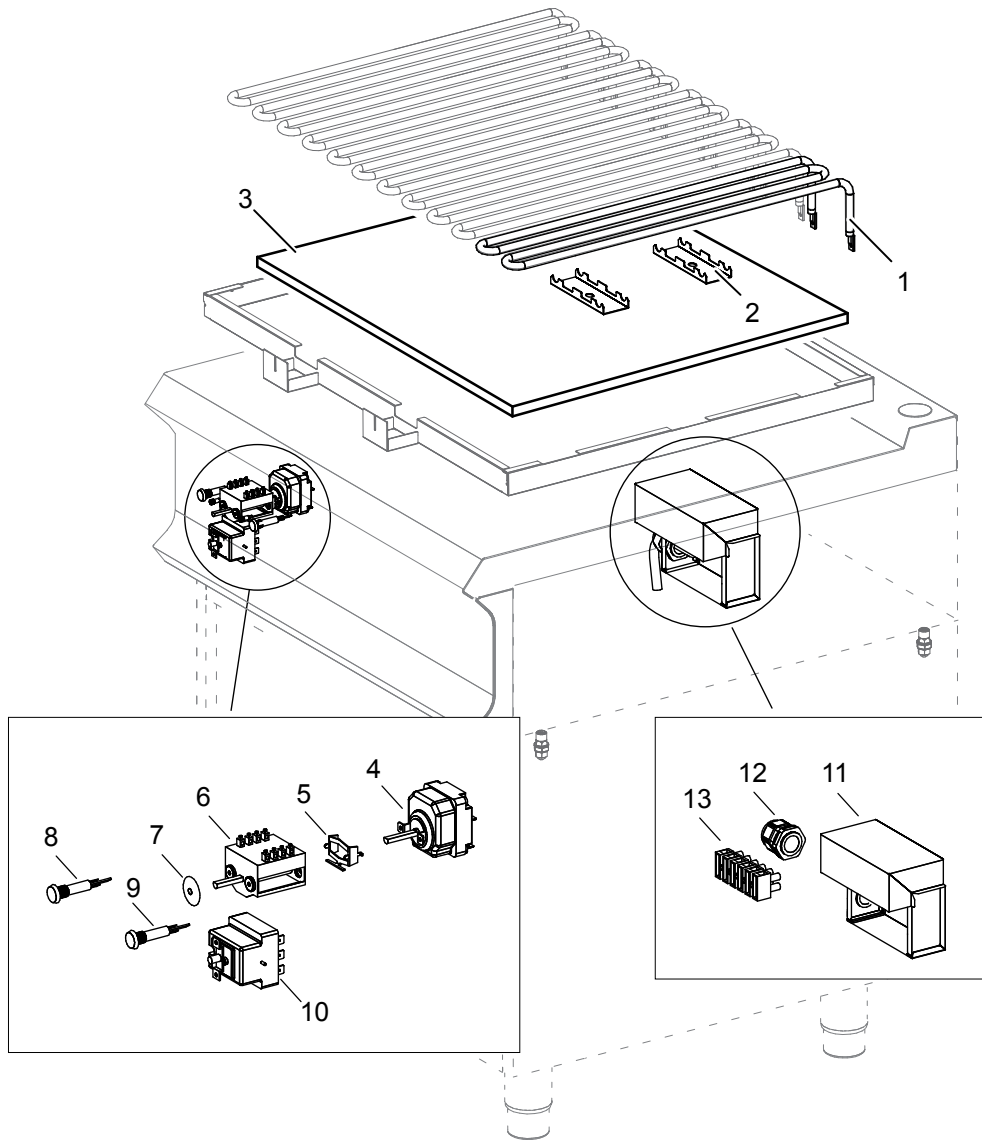
As Informações e desenhoS podem estar um pouco diferente da realidade e são puramente indicativas. O fabricante pode modificar estas informações a qualquer momento sem aviso prévio.



Nr.	Code	Title	Recommended
1.	202046	CHIMNEY GRILL	
4.	201903	SMOOTH HOB	
5.	201905	SMOOTH CHROME HOB	
6.	201911	RIBBED HOB	
7.	201907	1/2RIBBED 1/2SMOOTH HOB	
8.	201909	1/2RIBBED 1/2SMOOTH CHROME HOB	
11.	202297	FRONT PANEL	
12.	203182	OIL DRAWER	
13.	160270	HANDLE SATIN NICKEL	
14.	203869	OIL DRAWER EXTERNAL PANEL	
17.	202200	COMMUTATOR KNOB	
18.	200490	THERMOSTAT RING	
100.	ECS7015	RECOMMENDED PARTS FOR FTBE74-77	
101.	RIC0005135	OIL DRAWER COMPLETE	



Nr.	Code	Title	Recommended
1.	200061	<i>HIGH REAR TOP</i>	
2.	200929	<i>BACK SIDE</i>	
3.	200051	<i>RIGHT SIDE TOP</i>	
4.	200050	<i>LEFT SIDE TOP</i>	
5.	183993	<i>FOOT</i>	



Nr.	Code	Title	Recommended
1.	RTCU700278	HEATING ELEMENT 1,35KW	✓
2.	PACU700683	RESISTANCE FIXING BRACKET	
3.	165104	INSULATING PANEL	
4.	RTCU600067	WORKING THERMOSTAT	✓
5.	RTBF900037	LOW BRACKET COMMUTATOR/THERMOSTAT	✓
6.	RTBF900007	COMMUTATOR	✓
7.	RTCU800185	GASKET FOR COMMUTATOR ROD	✓
8.	166465	GREEN WARNING LIGHT	✓
9.	166466	ORANGE LAMP LIGHT	✓
10.	RTCU800152	SAFETY THERMOSTAT	✓
11.	201572	GR.TOP TERMINAL PROTECTION	
12.	RTBF800138	CHOCK	
13.	RTBF900045	TERMINAL BOARD	